

**PRODUCT NAME** MODEL NO. ALV710U3s-QC9

**Multi-function flameproof solenoid valves of aluminum**

**DESCRIPTION OF THE PRODUCT**

The multi-function flameproof solenoid valves of aluminum is available with both Namur connection and In-line connection and also is easily switched between 3/2 and 5/2 for the same valve body. The flow rate of the valve is relatively large, and the air port can be selected between 1/4 and 1/2. Armed with aluminum enclosure coil, this solenoid valve is excellent for being used in hazardous area Ex db IIC T6 Gb).



**APPROVED BY** Coil Specification: QC9 (ALV110Q1C9)

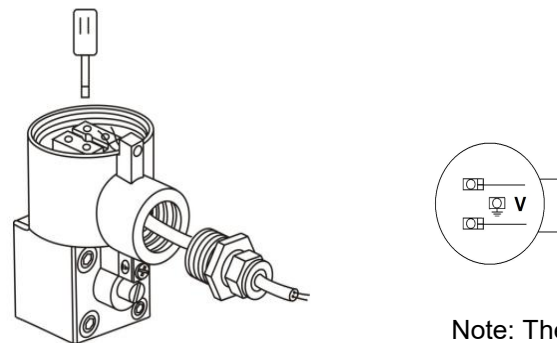


Coil Enclosure	Die-casting aluminum + Epoxy coated
Wiring Connector	M20-1.5 or 1/2"NPT, Terminal Strip
Operating Voltage	24VDC±10% ≤1W, 110/220VDC±10% ≤3.5W 24/110/220VAC±10% ≤ 4VA(50/60Hz)
Voltage Tolerance	±10%
Insulation Protection	H class
Insulated voltage	1000V
Duty factor	100% ED
Area Classification	Ex db IIC T6 Gb, Ex tb IIIC T85°C Db

**BODY TECHNICAL DATA**

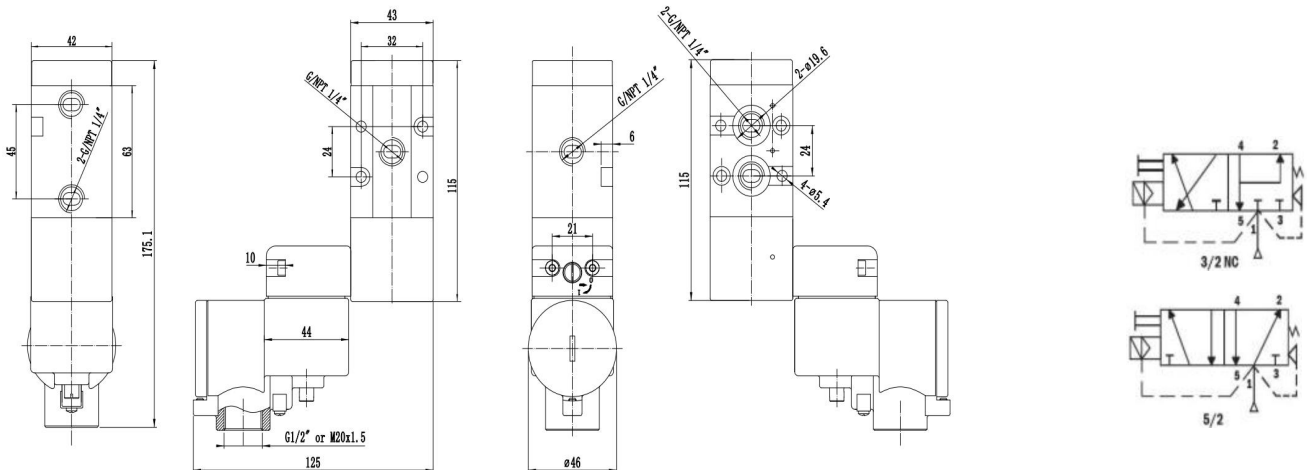
Body	Extruded aluminum + anodized coated
Seal	Buna N
Fasteners	Stainless steel
Function	5/2 or 3/2NC, Pilot acting, Monostable
Flow rate(Orifice)	CV =1.7 (30mm <sup>2</sup> )
Air Ports	G1/4" or NPT (optional 1/2")
Manual Override	on the body
Mounting	Namur mounting & In-line
Working pressure	2~8 bar
Working Medium	less than 40µm filtered and dried air
Working Temp.	-20°C ~60°C (optional: -40°C ~60°C)
Environment.	Indoor and Outdoor
Wiring direction	Side wiring

**Wiring Diagram and Operating**



Note: The Exd Cable Gland is not included. Enquiry please contact with us.

**DIMENSION AND DRAWING**



\*For continuous improvement of the product, we reserve the right to alter the dimensions, technical data in this data sheet.