

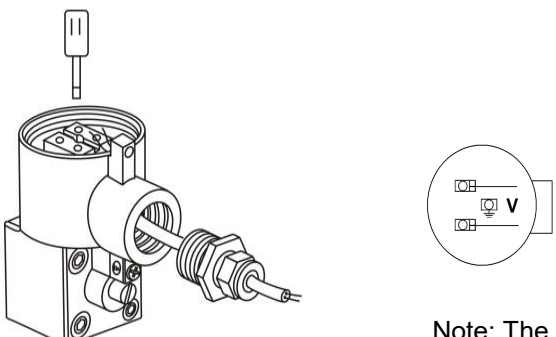
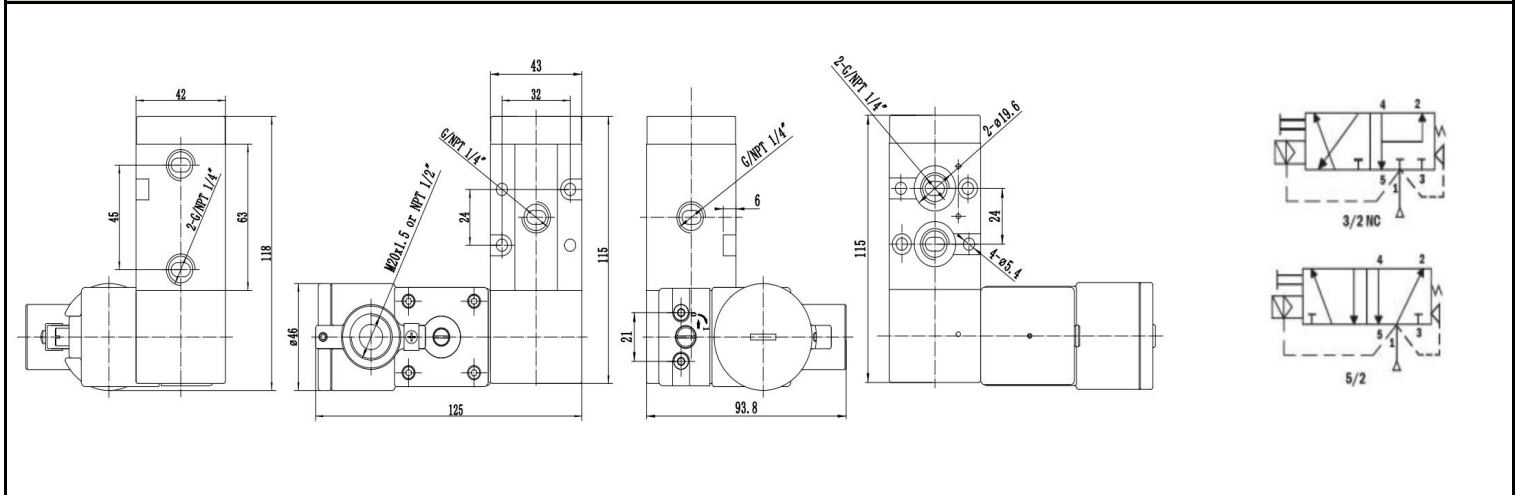


PRODUCT NAME	MODEL NO. ALV710U3-QC9
Multi-function flameproof solenoid valves of aluminum	
DESCRIPTION OF THE PRODUCT	
<p>The multi-function flameproof solenoid valves of aluminum is available with both Namur connection and In-line connection and also is easily switched between 3/2 and 5/2 for the same valve body. The flow rate of the valve is relatively large, and the air port can be selected between 1/4 and 1/2. Armed with aluminum enclosure coil, this solenoid valve is excellent for being used in hazardous area Ex db IIC T6 Gb).</p>	

APPROVED BY	Coil Specification: QC9 (ALV110Q1C9)	
	Coil Enclosure	Die-casting aluminum + Epoxy coated
	Wiring Connector	M20-1.5 or 1/2"NPT, Terminal Strip
BODY TECHNICAL DATA	Operating Voltage	24VDC±10% ≤1W, 110/220VDC±10% ≤3.5W 24/110/220VAC±10% ≤ 4VA(50/60Hz)
Body	Extruded aluminum + anodized coated	Voltage Tolerance ±10%
Seal	Buna N	Insulation Protection H class
Fasteners	Stainless steel	Insulated voltage 1000V
Function	5/2 or 3/2NC, Pilot acting, Monostable	Duty factor 100% ED
Flow rate(Orifice)	CV =1.7 (30mm ²)	Area Classification Ex db IIC T6 Gb, Ex tb IIIC T85°C Db
Air Ports	G1/4" or NPT (optional 1/2")	

Manual Override	on the body	<p style="text-align: center;">Wiring Diagram and Operating</p>  <p style="text-align: right;">Note: The Exd Cable Gland is not included. Enquiry please contact with us.</p>
Mounting	Namur mounting & In-line	
Working pressure	2~8 bar	
Working Medium	less than 40µm filtered and dried air	
Working Temp.	-20°C ~ 60°C (optional: -40°C ~ 60°C)	
Environment.	Indoor and Outdoor	
Wiring direction	Front wiring	

DIMENSION AND DRAWING



*For continuous improvement of the product, we reserve the right to alter the dimensions, technical data in this data sheet.