

PRODUCT NAME MODEL NO. ALV710U3-QC6S

Multi-function Intrinsic solenoid valves of Aluminum

DESCRIPTION OF THE PRODUCT

The multi-function flameproof solenoid valves of aluminum is available with both Namur connection and In-line connection and also is easily switched between 3/2 and 5/2 for the same valve body. The flow rate of the valve is relatively large, and the air port can be selected between 1/4 and 1/2. Armed with thermoplastic enclosure coil, this solenoid valve is excellent for being used in hazardous area (Ex ia IIC T6 Ga).



APPROVED BY Coil Specification: QC6S (ALV110Q1C6S)



IP67

Coil Enclosure Thermoplastic

Cable connection M12×1-5 Socket (4 Pole)

BODY TECHNICAL DATA

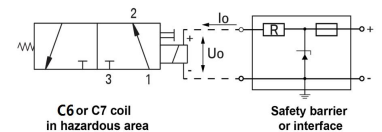
| | | | |
|-----------------|---|--------------------------------------|--|
| Body | Extruded Aluminum + anodized coated | Operating Voltage & Electric current | 13.0~24VDC, 22~42mA at -20°C~60°C 13.3~24VDC, 22~67mA at -40°C~60°C |
| Seal | Buna N | Insulation Protection | H Class |
| Fasteners | Stainless steel | Insulated voltage | 1000V |
| Function | 5/2 and 3/2NC, Pilot acting, Monostable | Duty factor | 100% ED |
| Manual Override | Manual screw on the body | Area Classification | Ex ia IIC T6 Ga, Ex ia IIIC T85°C Db |

Supply Specifications for Coil of C6

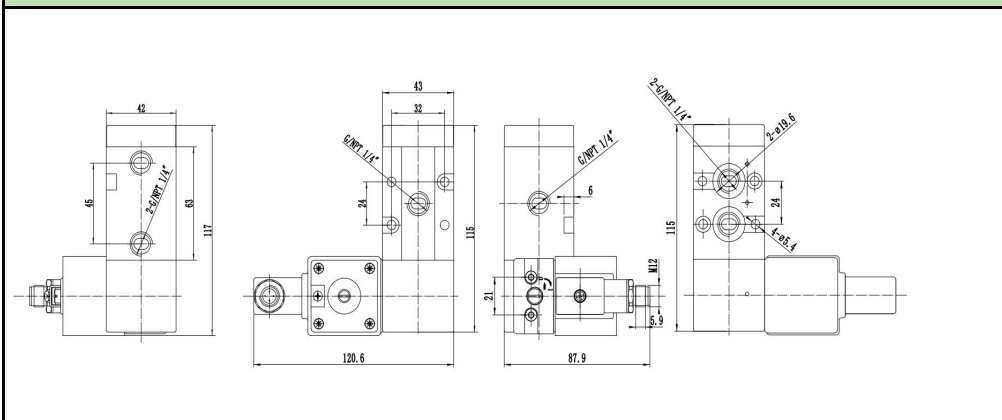
| | | | |
|------------------|-----------------------------------|------------|--------|
| Air Ports | G1/4" or NPT (optional 1/2") | U max : in | 30VDC |
| Flow rate | CV =1.7 (30mm ²) | I max : in | 650mA |
| Mounting | Namur mounting & In-line | W max : in | 2980mW |
| Working Medium | ≤ 40µm filtered and dried air | C max : in | 0 |
| Working Temp. | -20°C~60°C (optional: -40°C~60°C) | L max : in | 0 |
| Wiring direction | Front wiring | | |

Wiring connection instructions **Wiring with barrier**

The electrical connection between the safety barrier placed in safe zone and the C6 series intrinsic safe solenoid valve installed in a hazardous zone can be made using the flying leads cable (cable length 1 m and other lengths on request). Note that the solenoid valve has positive and negative wiring requirements, the red line is positive, the blue line is negative, and the green and white double color line is grounding. Refer to the bottom-right figure please.



DIMENSION AND DRAWING



*For continuous improvement of the product, we reserve the right to alter the dimensions, technical data in this data sheet.