

<b>Allied Data Sheet**</b>	<b>Product ID ALV610P2C0D</b>
----------------------------	-------------------------------

**PRODUCT NAME**  
5/2 High Performance Alu. Solenoid Valve

**MODEL NO.**  
**ALV610P2C0D**

**DESCRIPTION OF THE PRODUCT**  
The STAINLESS STEEL IN-LINE SOLENOID VALVE functions as 5/2 and is available for the operation of double-acting pneumatic actuators. Working pressure from 2 bar to 8 bar and the working voltage from 12-48VDC, 110-240VAC.

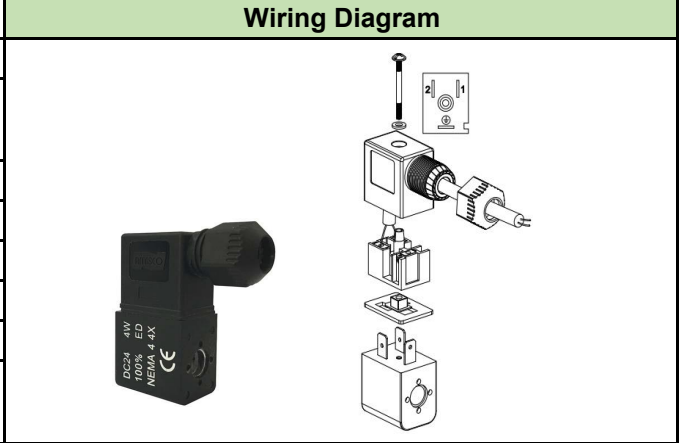


**APPROVED BY**

**IP66**
**NEMA4,4X**

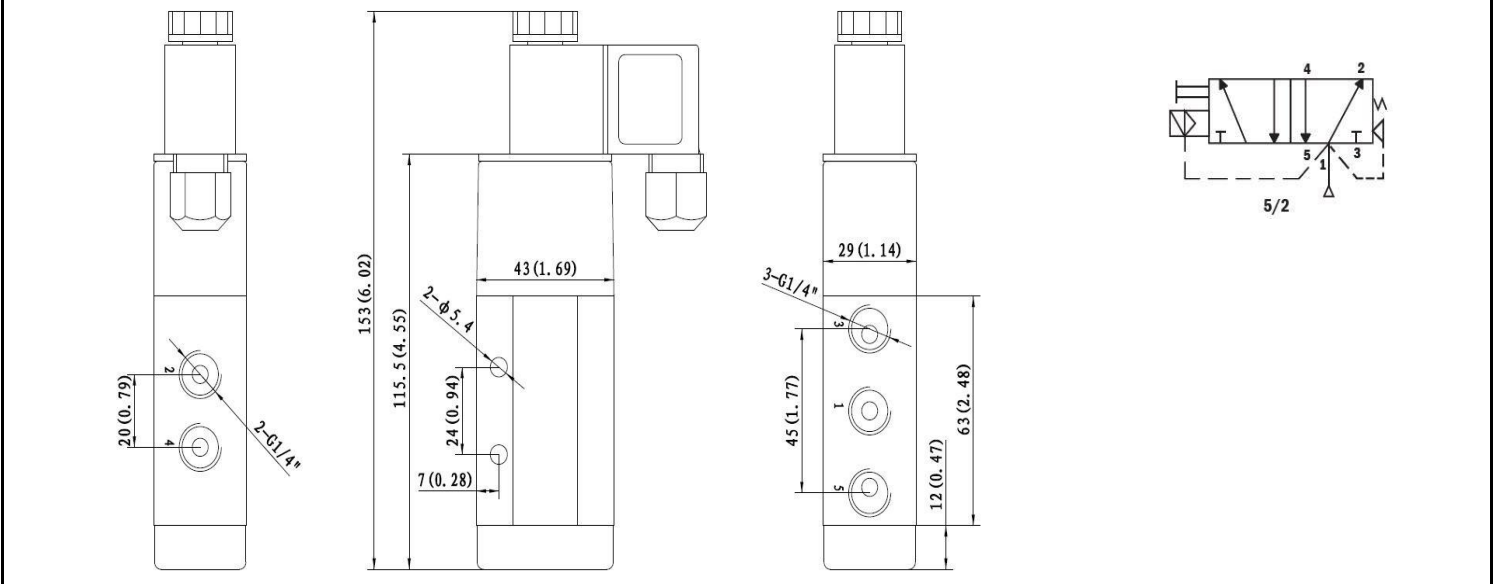
<b>Solenoid Coil(C0D)</b>	
<b>Operating Voltage</b>	12/24VDC-4W 110/120/220/240VAC-4VA (50/60HZ)
<b>Voltage Tolerance</b>	±10%
<b>Wiring Connector</b>	External Thread Din Plug
<b>Cable Size</b>	Dia.5-10mm
<b>Insulation</b>	H Class
<b>Insulated Voltage</b>	1000V
<b>Duty Factor</b>	100% ED
<b>Weather Proof</b>	IP66

SPECIFICATIONS AND TECHNICAL DATA	
<b>Spool Valve/Body</b>	SS316L Stainless Steel
<b>Coating</b>	Electropolishing
<b>Seal</b>	Buna N
<b>Materials in Contact with Fluid</b>	StainlessSteel, Glass-filled PA, Buna N
<b>Function</b>	5/2, Monostable, Pilot Operation
<b>Air Ports</b>	G1/4" or NPT
<b>Flow Rate</b>	CV =1.1(19.63mm <sup>2</sup> )
<b>Installation and Connection</b>	In-line, Manual Override On Body
<b>Fasteners</b>	Stainless Steel
<b>Environment</b>	Indoor and Outdoor
<b>Medium Temperature*</b>	-20℃~60℃ (optional: -40℃~60℃)
<b>Working Pressure</b>	2~8 bar
<b>Working Medium</b>	Less Than 40µm Filtered and Dried Air
<b>Working Life</b>	More Than 1000,000 Cycle (On The Normal Working Condition)



\* When the operating temp. is different with medium temperature, the one has smaller absolute value must be chose.

**DRAWING AND DIMENSION**



\*\*For continuous improvement of the product, we reserve the right to alter the dimensions, technical data and information included in this data sheet..