

Allied Data Sheet	Product ID ALV610F3C4
--------------------------	------------------------------

PRODUCT NAME	MODEL NO.ALV610F3C4
--------------	---------------------

5/2 Stainless Steel Explosion Proof Solenoid Valve	
--	--

MODEL NO.	
-----------	--

ALV610F3C4	
------------	--

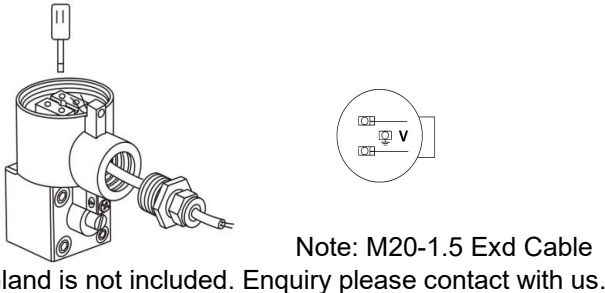
DESCRIPTION OF THE PRODUCT	
----------------------------	--

Based on NAMUR standard (32×24), the ALV610F3C4 NAMUR solenoid valve can be adapted for 3/2 NC or 5/2 functions for controlling double-acting and spring-return pneumatic actuators. Armed with stainless steel enclosure coil this solenoid valve, it is excellent for being used in corrosive and hazardous area. Working pressure from 2 bar to 8 bar and the working voltage from 12-48VDC, 110-240VAC.

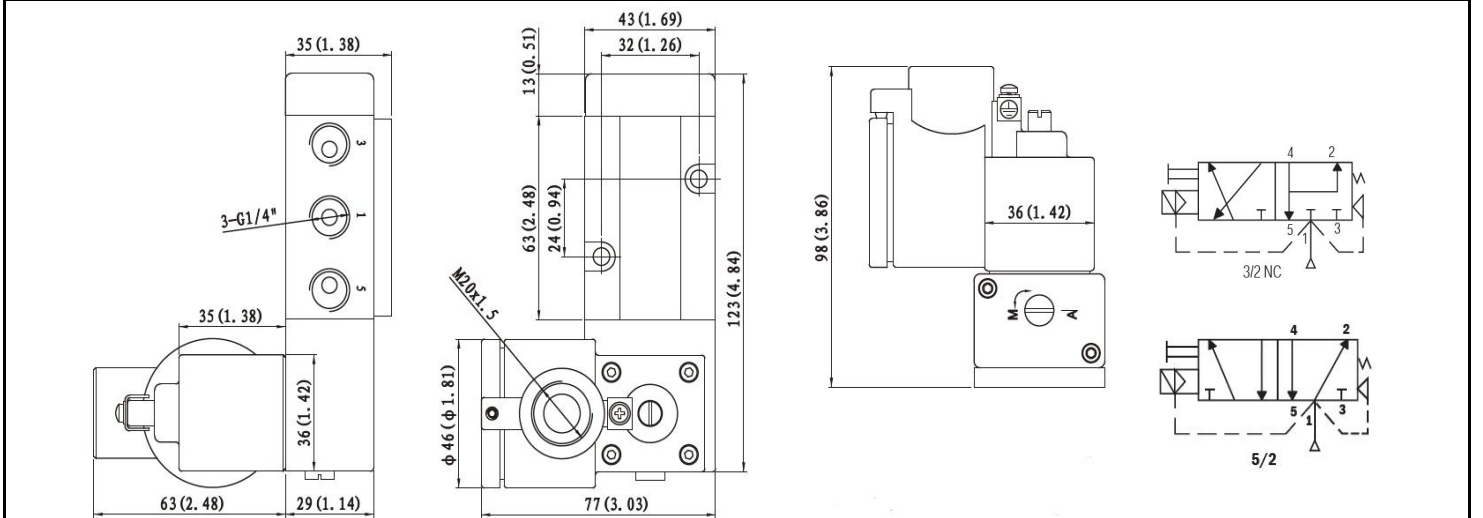
APPROVED BY	Solenoid Coil: C4
-------------	-------------------

    	<table border="1" style="width:100%; border-collapse: collapse;"> <tr> <td style="width:50%;">Operating Voltage</td> <td style="width:50%;">12/24VDC-3.5W 110/120/220/240VAC-4VA (50/60HZ)</td> </tr> </table>	Operating Voltage	12/24VDC-3.5W 110/120/220/240VAC-4VA (50/60HZ)
Operating Voltage	12/24VDC-3.5W 110/120/220/240VAC-4VA (50/60HZ)		

SPECIFICATIONS AND TECHNICAL DATA	Voltage Tolerance	±10%
-----------------------------------	-------------------	------

Spool Valve/Body	SS316 Stainless Steel	Coil Enclosure	Stainless Steel (316) With Electropolishing
Coating	Electropolishing	Cable Entry	M20-1.5 or 1/2"NPT, Terminal Strip
Seal	Buna N	Insulation Protectio	H Class
Materials in Contact with Fluid	Stainless Steel, Glass-filled PA, Buna N	Insulated voltage	1000V
Function	5/2 or 3/2NC, Monostable, Pilot Operation	Duty factor	100% ED
Air Ports	G 1/4" or NPT	Weather Proof	IP67
Flow Rate	CV =1.1(19.63mm ²)	Area Classification	Ex d IIC T6 Gb (Class I Zone I AEx d IIC T6 Gb)
Installation and Connection	24×32 Namur Manual Override On Body	Wiring Diagram	
Fasteners	Stainless Steel		
Environment	Indoor and Outdoor		
Medium Temperature*	-20℃~60℃ (optional: -40℃~60℃)		
Working Pressure	2~8 bar		
Working Medium	Less Than 40µm Filtered and Dried Air		
Working Life	More Than 1000,000 Cycle (On The Normal Working Condition)		

DRAWING AND DIMENSION



**For continuous improvement of the product, we reserve the right to alter the dimensions, technical data and information included in this data sheet.