



PRODUCT NAME	MODEL NO. ALV610F3-QC6S
Pilot acting Intrinsic Safe Solenoid Valve	
DESCRIPTION OF THE PRODUCT	
<p>Based on NAMUR standard, the same stainless steel NAMUR valve can be adapted for 3/2 NC or 5/2 functions. Armed with Ex ia IIC T6 Gb thermoplastic enclosure coil, this intrinsic safe Namur solenoid valve is available for the operation of double acting and spring return pneumatic devices located in corrosive and hazardous (Class 1 Zone 0) atmospheres.</p>	

APPROVED BY **Coil Specification: QC6S (ALV110Q1C6S)**

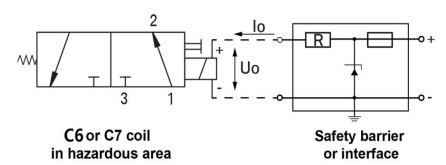
	Coil Enclosure	Thermoplastic
	Cable connection	M12×1-5 Socket (4 Pole)

BODY TECHNICAL DATA		Operating Voltage & Electric current	13.0~24VDC, 22~42mA at -20℃~60℃ 13.3~24VDC, 22~67mA at -40℃~60℃
Body	Stainless Steel (316)	Insulation Protection	H Class
Seal	Buna N	Insulated voltage	1000V
Fasteners	Stainless steel	Duty factor	100% ED
Function	5/2 and 3/2NC, Monostable	Area Classification	Ex ia IIC T6 Ga, Ex ia IIIC T85℃ Db
Manual Override	Manual screw on the body		
Air Ports	G1/4" or NPT		

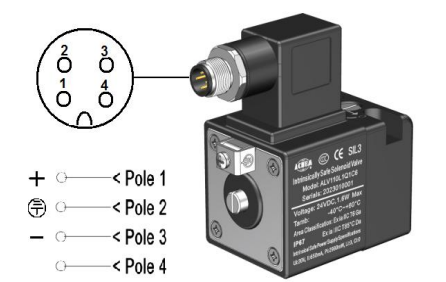
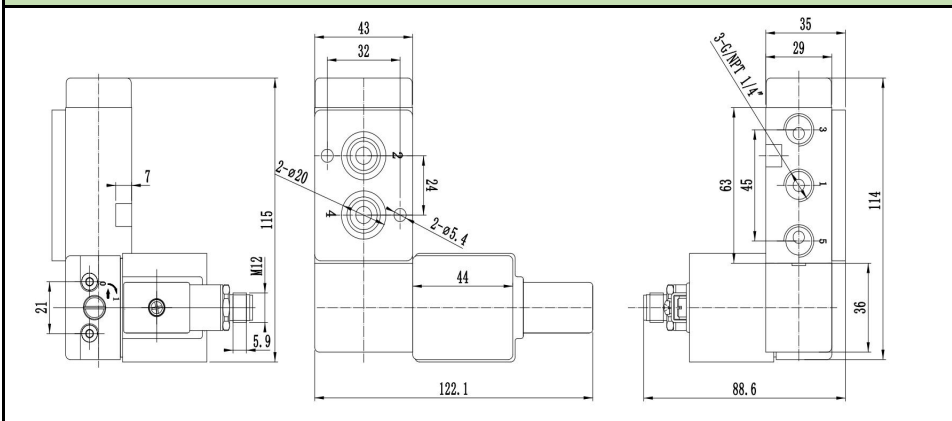
		Supply Specifications for Coil of C6	
Flow rate	CV =1.1 (19.63mm ²)	U max : in	30VDC
Mounting	24×32 Namur	I max : in	650mA
Working Medium	≤ 40µm filtered and dried air	W max : in	2980mW
Working Temp.	-20℃~60℃ (optional: -40℃~60℃)	C max : in	0
Weather Proof	IP67	L max : in	0

Wiring connection instructions **Wiring with barrier**

The electrical connection between the safety barrier placed in safe zone and the C6 series intrinsic safe solenoid valve installed in a hazardous zone can be made using the flying leads cable (cable length 1 m and other lengths on request). Note that the solenoid valve has positive and negative wiring requirements, the red line is positive, the blue line is negative, and the green and white double color line is grounding. Refer to the bottom-right figure please.



DIMENSION AND DRAWING



*For continuous improvement of the product, we reserve the right to alter the dimensions, technical data in this data sheet.