

**PRODUCT NAME**  
**ACHEM CNOMO FLAMEPROOF SOLENOID VALVE**  
**MODEL NO.**  
**ALV210F1C4**  
**DESCRIPTION OF THE PRODUCT**  
 Direct acting spring return normally closed solenoid valve with Ex d IIC T6 aluminium enclosure coil.  
 According to the CNOMO-30 standard, this solenoid valve can be directly attached to various flow pneumatic valves to implement pilot control.



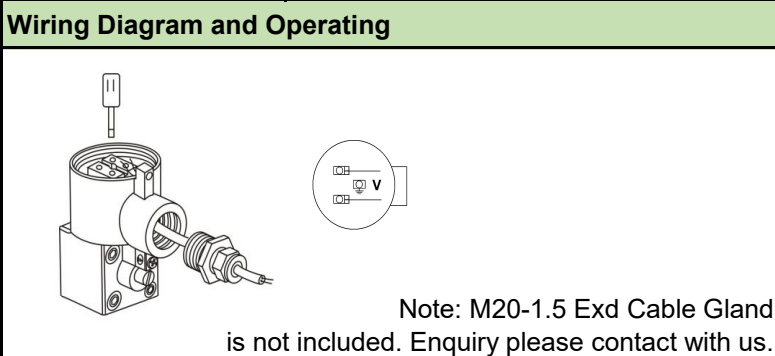
**APPROVED BY**

**Coil Specification (C4)**

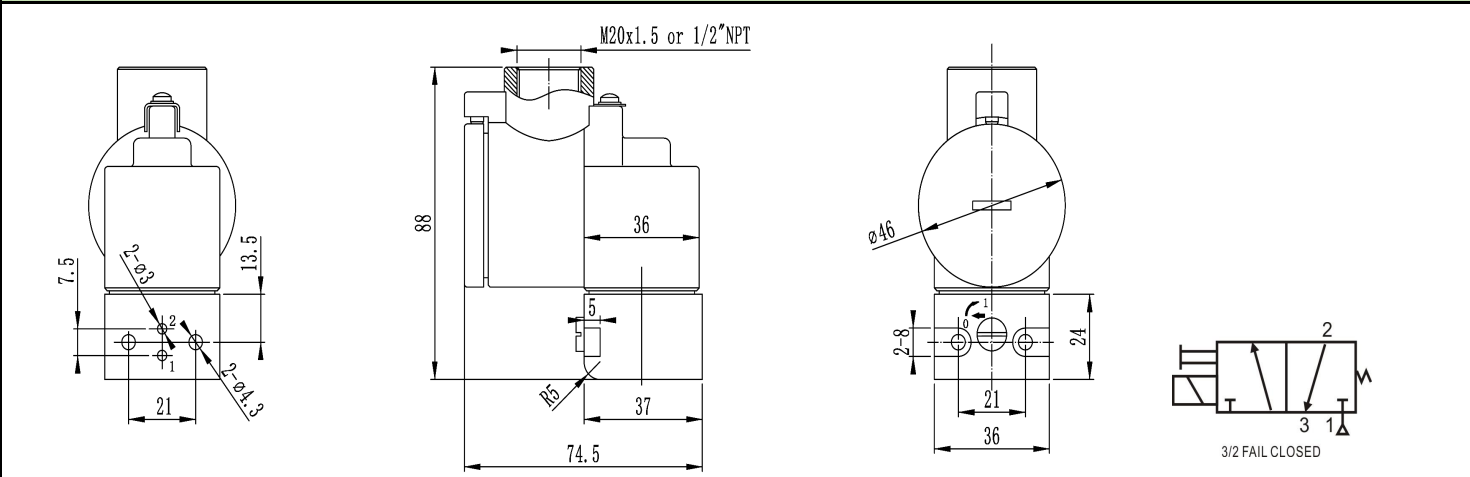
<b>Coil Enclosure</b>	Stainless steel 316
<b>Wiring Connector</b>	M20-1.5 or 1/2"NPT, Terminal Strip
<b>Operating Voltage</b>	24/110VDC-3.5W, ≤1W 110/120/220/240VAC-4VA(50/60Hz)
<b>Insulation Protection</b>	H class
<b>Insulated voltage</b>	1000V
<b>Duty factor</b>	100% ED
<b>Area Classification</b>	Ex d IIC T6 Gb (Class I Zone I AEx d IIC T6 Gb)
<b>Weather Proof</b>	IP67

**BODY TECHNICAL DATA**

<b>Body</b>	Stainless steel 316
<b>Seal</b>	Buna N
<b>Fasteners</b>	Stainless steel
<b>Function</b>	3/2 direct acting, spring return, NC
<b>Flow rate</b>	78L/M, CV=0.08
<b>Orifice</b>	1.3mm
<b>Manual Override</b>	on the body
<b>Air Ports</b>	φ3mm
<b>Mounting</b>	CNOMO interface
<b>Working Temperature</b>	-20°C ~ 60°C (optional: -40°C ~ 60°C )
<b>Working Pressure</b>	0 ~ 8 bar
<b>Working Medium</b>	less than 40µm filtered and dried air



**DRAWING AND MOUNTING**



\*\*\*For continuous improvement of the product, we reserve the right to alter the dimensions, technical data and information included in this data sheet.