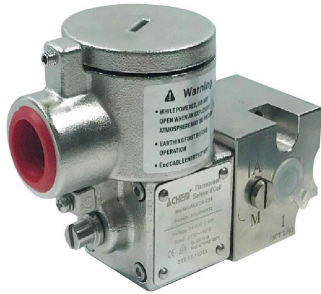

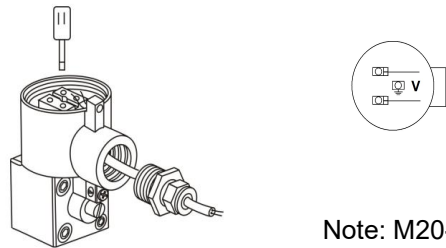


**Allied Data Sheet** **Product ID ALV210F1C4**

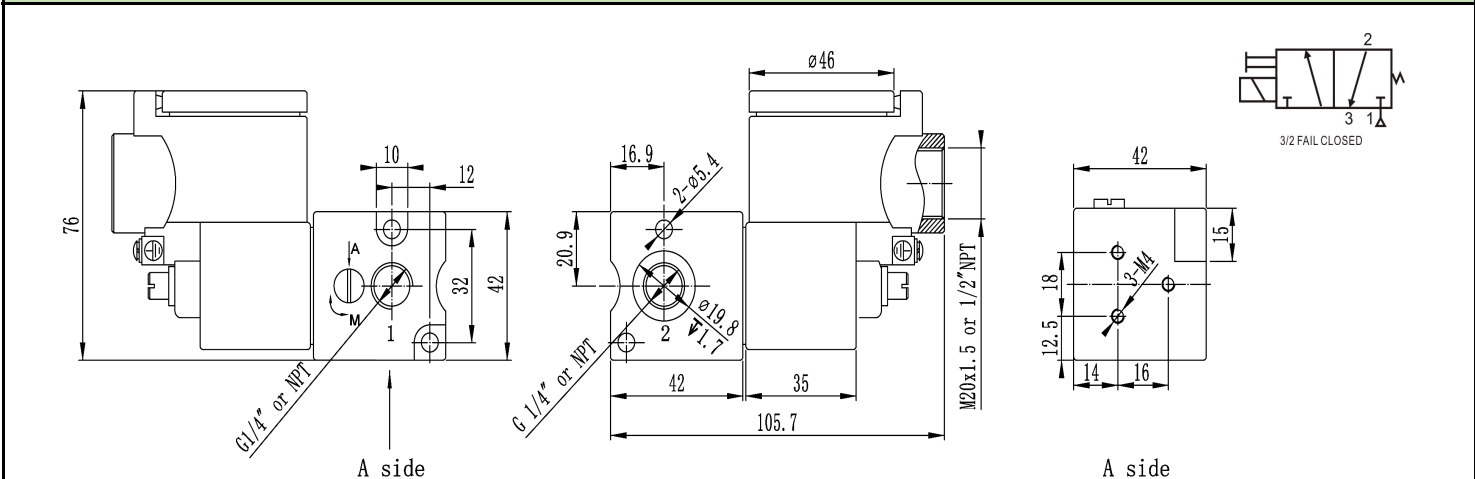
<b>PRODUCT NAME</b>	<b>MODEL NO. ALV210F1C4</b>
<b>ACHEM FLAMEPROOF SOLENOID VALVE</b>	
<b>MODEL NO.</b>	
<b>ALV210F1C4</b>	
<b>DESCRIPTION OF THE PRODUCT</b>	
Direct acting spring return normally closed solenoid valve with Ex d IIC T6 aluminium enclosure coil. According to the Namur standard, this solenoid valve can be directly attached to single acting pneumatic actuator located in hazardous (Ex d IIC T6) area for pneumatic control.	

<b>APPROVED BY</b>	<b>Coil Specification (C4)</b>	
	<b>Coil Enclosure</b>	Stainless steel 316
	<b>Wiring Connector</b>	M20-1.5 or 1/2"NPT, Terminal Strip

<b>BODY TECHNICAL DATA</b>		<b>Operating Voltage</b>	24/110VDC-3.5W, ≤1W
<b>Body</b>	Stainless steel 316	<b>Insulation Protection</b>	H class
<b>Seal</b>	Buna N	<b>Insulated voltage</b>	1000V
<b>Fasteners</b>	Stainless steel	<b>Duty factor</b>	100% ED
<b>Function</b>	3/2 direct acting, spring return, NC	<b>Area Classification</b>	Ex d IIC T6 Gb (Class I Zone I AEx d IIC T6 Gb)
<b>Flow rate</b>	78L/M, CV=0.08	<b>Weather Proof</b>	IP67
<b>Orifice</b>	1.3mm		

<b>Manual Override</b>	on the body	<b>Wiring Diagram and Operating</b>	
<b>Air Ports</b>	G1/4" or NPT	 <p>Note: M20-1.5 Exd Cable Gland is not included. Enquiry please contact with us.</p>	
<b>Mounting</b>	Namur or In-line		
<b>Working Temperature</b>	-20°C ~ 60°C (optional: -40°C ~ 60°C )		
<b>Working Pressure</b>	0 ~ 8 bar		
<b>Working Medium</b>	less than 40µm filtered and dried air		

**DRAWING AND MOUNTING**



\*\*\*For continuous improvement of the product, we reserve the right to alter the technical data in this data sheet.