

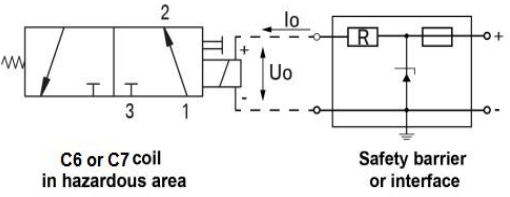
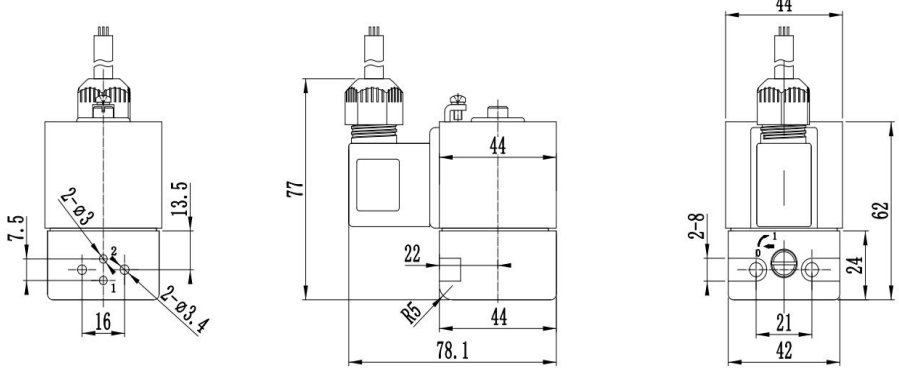
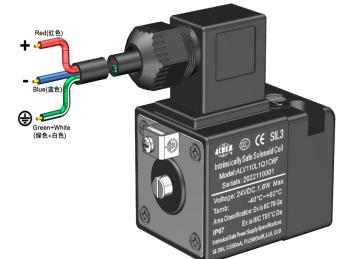


PRODUCT NAME	MODEL NO. ALV110Q1C6F
Direct Acting Intrinsic Safe Solenoid Valve (Cnomo)	
DESCRIPTION OF THE PRODUCT	
Direct acting spring return normally closed solenoid valve with Ex ia IIC T6 Ga thermoplastic enclosure coil. According to the CNOMO-30 standard, this solenoid valve can be directly attached to various flow pneumatic valves to implement pilot control in hazardous area (Class 1 Zone 0).	

APPROVED BY	Coil Specification (C6F)	
	Coil Enclosure	Thermoplastic
	Cable connection	Flying leads (cable length 1 m and other lengths on request)

BODY TECHNICAL DATA		Operating Voltage & Electric current	13.0~24VDC, 22~42mA at -20℃~60℃ 13.3~24VDC, 22~67mA at -40℃~60℃
Body	Extruded aluminum + anodized coated	Insulation Protection	H Class
Seal	Buna N	Insulated voltage	1000V
Fasteners	Stainless steel	Duty factor	100% ED
Function	3/2 direct acting, spring return, NC,	Area Classification	Ex ia IIC T6 Ga, Ex ia IIIC T85℃ Db
Manual Override	on the body	Supply Specifications for Coil of C6	
Air Ports	φ3mm	U max : in	30VDC
Flow rate	29.1L/M, CV=0.03 (Orifice 0.8mm)	I max : in	650mA
Mounting	CNOMO interface	W max : in	2980mW
Working Medium	≤ 40μm filtered and dried air (0~8 bar)	C max : in	0
Working Temp.	-20℃~60℃ (optional: -40℃~60℃)	L max : in	0
Weather Proof	IP67		

Wiring connection instructions	Wiring with barrier
The electrical connection between the safety barrier(or interface) placed in safe zone and the solenoid valve installed in a hazardous zone can be made using the flying leads cable (cable length 1 m and other lengths on request). Note that the solenoid valve has positive and negative wiring requirements, the red line is positive, the blue line is negative, and the green and white double	 <p>C6 or C7 coil in hazardous area</p> <p>Safety barrier or interface</p>

Dimension and Drawing	Wiring Operating
	

*For continuous improvement of the product, we reserve the right to alter the dimensions, technical data in this data sheet.