

PRODUCT NAME

Flameproof Valve Monitor

MODEL NO.

ALS-410ML2

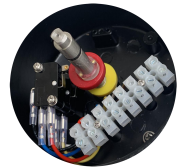
DESCRIPTION OF THE PRODUCT

The ALS410ML2 series flameproof valve monitor is a rotary position indication device in HAZARDOUS area (Class I, Division 1, Groups B, C, D T6). Armed with CROUZET mechanical switch, this device can sense valve position (on/off) in low-temperature environment (-60°C) for remote PLC or PC indication. The visual indicator on the top of the device can also clearly display the valve position for local

APPROVED BY



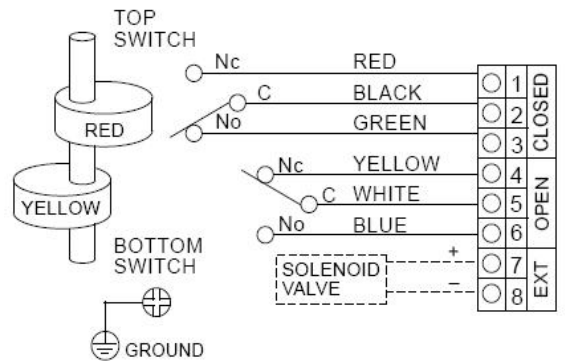
IP66



SPECIFICATIONS AND TECHNICAL DATA

Enclosure	Die-casting aluminum: O-ring sealed
Coating	Dichromate conversion with polyester powder coating
O-rings	Buna N
Environment	IP66, Type 4, 4X
Area Classification	Class I, Division 1, Groups B, C, D T6
Fasteners	Stainless steel
Shaft	Stainless steel Namur
Conduit Entries	2*3/4" -14 NPT, or 2*M20x1.5 (optional).
Terminal Strip Contacts	8
Mounting Bracket	MB - 3.4: 30 x 80, 130 H:20, 30 (Carbon steel)
Operating Temperature	-40°C ~ 50°C

WIRING DIAGRAM



Sensor: 2 SPDT CROUZET Mechanical switch (type 83260.7/832607)

Model No.	ML2
Operating Voltage (Rating)	Max. 8A, 250V ac/30V dc
Operating principle	Changeover - SPDT



DRAWING AND DIMENSION

