

PRODUCT NAME

Stainless Steel Flameproof Valve Monitor

MODEL NO.

ALS600PP22

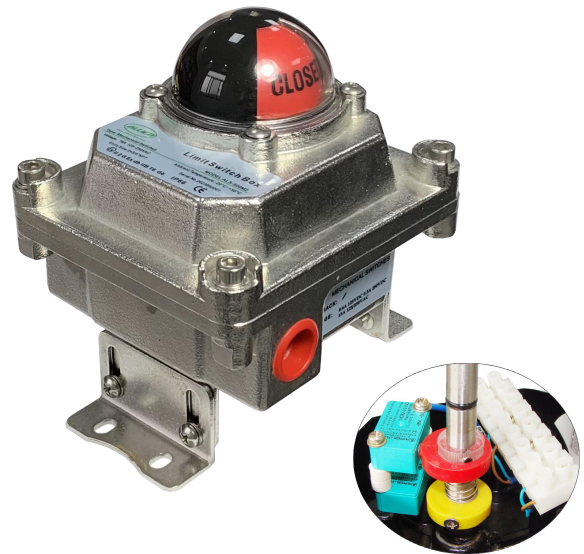
DESCRIPTION OF THE PRODUCT

The ALS600PP22 series stainless steel flameproof valve monitor is a rotary position indication device for CORROSIVE and HAZARDOUS (Ex d IIB T6) area. Armed with inductive sensors, this device can sense mechanical position (on/off) of the valve for remote PLC or PC indication. The visual indicator on the top of the device can also clearly display the valve position for local detection.

APPROVED BY



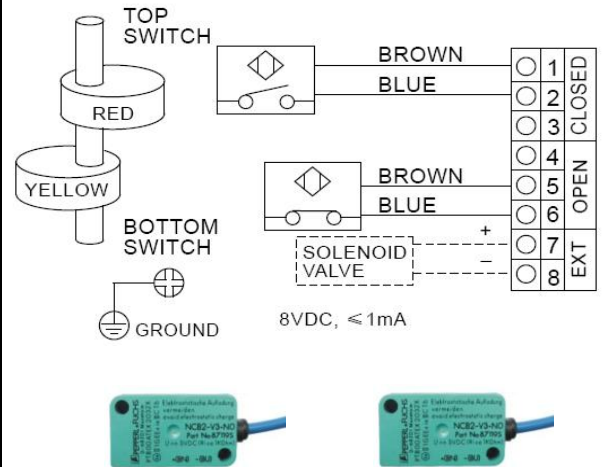
IP66



SPECIFICATIONS AND TECHNICAL DATA

Enclosure	Stainless steel 304 or 316. Resistance to corrosion of chemicals and salty fog: O-ring sealed
O-rings	Buna N
Environment	NEMA 4, 4X IP66
Area Classification	Ex db IIB T6 Gb
Fasteners	304 or 316 Stainless steel
Shaft	304 Stainless steel Namur
Conduit Entries	Two 1/2" BSPP Also available with two 1/2" or 3/4" NPT, 3/4" BSPP M20-1.5
Terminal Strip Contacts	8
Mounting Bracket	MB - 3.4: 30 x 80, 130 H:20, 30 (Stainless steel)
Ambient Temperature	-20°C -50°C
Sensor: inductive sensor NAMUR (2 wire)	
Model No.	PP22, 2 p+f NCB2-V3-No
Operating Voltage	8DCV, <=1mA
Area Classification	Ex ia IIC T6

WIRING DIAGRAM



DRAWING AND DIMENSION

