

PRODUCT NAME

Valve Monitor

MODEL NO.

ALS200PP22

DESCRIPTION OF THE PRODUCT

The ALS200PP22 valve monitor is a rotary position indication device. Armed with inductive sensors, this device can sense mechanical position (on/off) of valve for remote PLC or PC indication. The visual indicator on the top of the device can also clearly display the valve position for local detection.



SPECIFICATIONS AND TECHNICAL DATA

Enclosure	Die-casting aluminum with dichromate conversion and polyester powder coating: O-ring sealed
O-rings	Buna N
Environment	Type 4, 4X, IP67
Area Classification	Standard
Fasteners	Stainless steel
Shaft	Stainless steel Namur
Conduit Entries	Two 1/2" BSPP Also available with two 1/2" NPT, M20-1.5
Terminal Strips	8
Mounting Bracket	MB - 2.3: 30 x 80, 130 H:20, 30 (Carbon steel)
Ambient Temperature	-25°C - 85°C

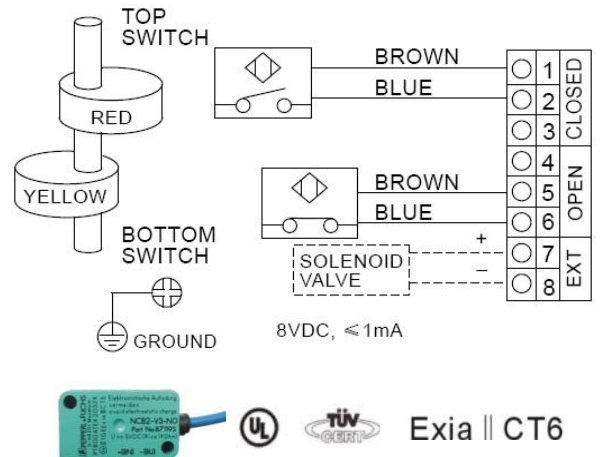
APPROVED BY



Sensor: inductive sensor NAMUR (2 wire)

Model No.	PP22 (p+f NCB2-V3-No)
Operating Voltage	8DCV, <=1mA
Area Classification	intrinsically safe, Exia IIC T6

WIRING DIAGRAM



DRAWING AND DIMENSION

