

PRODUCT NAME

Valve Monitor

MODEL NO.

ALS200PA23

DESCRIPTION OF THE PRODUCT

The ALS200PA23 series valve monitor is a rotary position indication device. Armed with inductive sensors this device can sense mechanical position (on/off) of valve for remote PLC or PC indication. The visual indicator on the top of the device can also clearly display the valve position for local detection.



SPECIFICATIONS AND TECHNICAL DATA

Enclosure	Die-casting aluminum with dichromate conversion and polyester powder coating: O-ring sealed
O-rings	Buna N
Environment	Type 4, 4X, IP67
Area Classification	Standard
Fasteners	Stainless steel
Shaft	Stainless steel Namur
Conduit Entries	Two 1/2" BSPP Also available with two 1/2" NPT, M20-1.5
Terminal Strip Contacts	8
Mounting Bracket	MB – 2.3: 30 x 80, 130 H:20, 30 (Carbon steel)
Ambient Temperature	-25°C-85°C

APPROVED BY



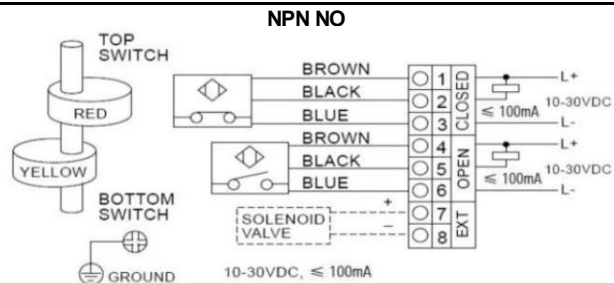
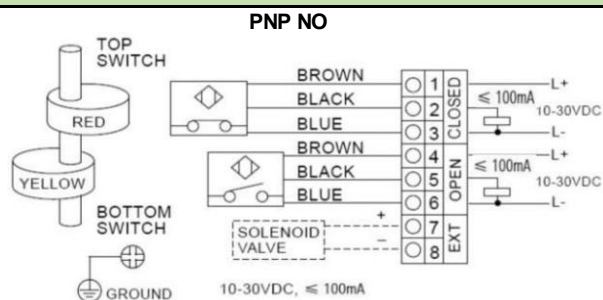
Sensor: Two ALPS Inductive sensors (3 wire)

Model No.	PA23
Operating Voltage	10-30 VDC, <=100mA

Photo



WIRING DIAGRAM



DRAWING AND DIMENSION

