

PRODUCT NAME
Valve Monitor
MODEL NO.
ALS200M2
DESCRIPTION OF THE PRODUCT
The ALS200M2 series valve monitor is a rotary position indication device. Armed with mechanical switch this device can sense mechanical position (on/off) of valve for remote PLC or PC indication. The visual indicator on the top of the device can also clearly display the valve position for local detection.



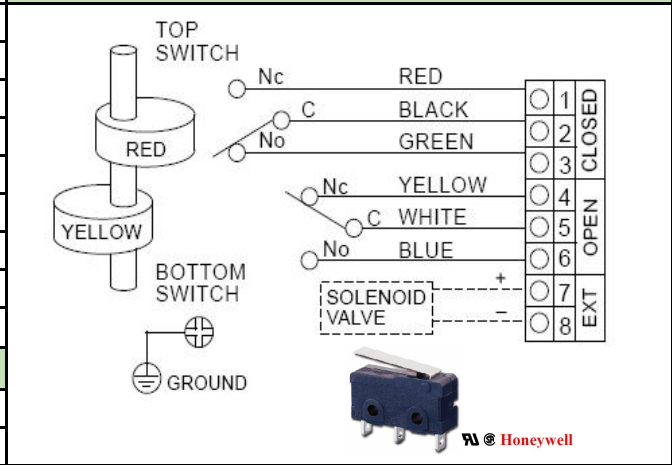
SPECIFICATIONS AND TECHNICAL DATA

Enclosure	Die-casting aluminum dichromate conversion with polyester powder coating and O-ring sealed
O-rings	Buna N
Environment	Type 4, 4X, IP67
Area Classification	Standard
Fasteners	Stainless steel
Shaft	Stainless steel Namur
Conduit Entries	Two 1/2" BSPP Also available with two 1/2" NPT, M20-1.5
Terminal Strip Contacts	8
Mounting Bracket	MB - 2.3: 30 x 80, 130 H:20, 30 (Carbon steel)
Ambient Temperature	-25°C-85°C
Sensor: Honeywell Mechanical Switches	
Model No.	M2(2SPDT)
Operating Voltage	Max: 5A 125-250 VAC

APPROVED BY



WIRING DIAGRAM(M2)



DRAWING AND DIMENSION

