

PRODUCT NAME
Valve Indicator
MODEL NO.
ALS200D

DESCRIPTION OF THE PRODUCT

Valve Indicator(ALS200D) is a rotary position indication device, use two reed switches and two permanent magnets. They are encased in a plastic housing for protection and ease of mounting. The reed switches mounted on the top of actuator and the permanent magnets mounted on the stem of the actuator. Each switch and magnet complete a circuit when the actuator/valve closed/opened. The circuit breaks when the actuator/valve opened/closed. This device can senses mechanical position (on/off) of valve for remote PLC or PC indication. The visual indicator on the top of the device can also clearly display the valve position for local detection.



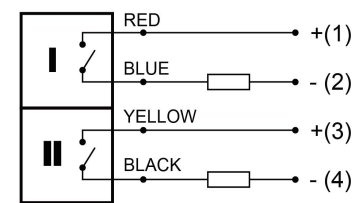
SPECIFICATIONS AND TECHNICAL DATA

Encase material	ABS
Contact form	Normally Open(NO)
Output type	2 wire
Swithing capacity	1W - 10W
Swithing voltage	5 - 240VAC/VDC
Swithing current	0 - 300mA
Swithing frequency	0 - 4.8KHz
Sensor position	-45°/+45° ±10°
Operating Temp.	-40°C - 85°C
Proximity distance	1 - 6mm
Mounting	Standard: 30 x 80 H:20, 30 Requiring: 30 x 130 H:20, 30
Fasteners	Stainless steel
Wiring	-FL: Flying lead(70~700mm) -P4: M12-4P wiring connector

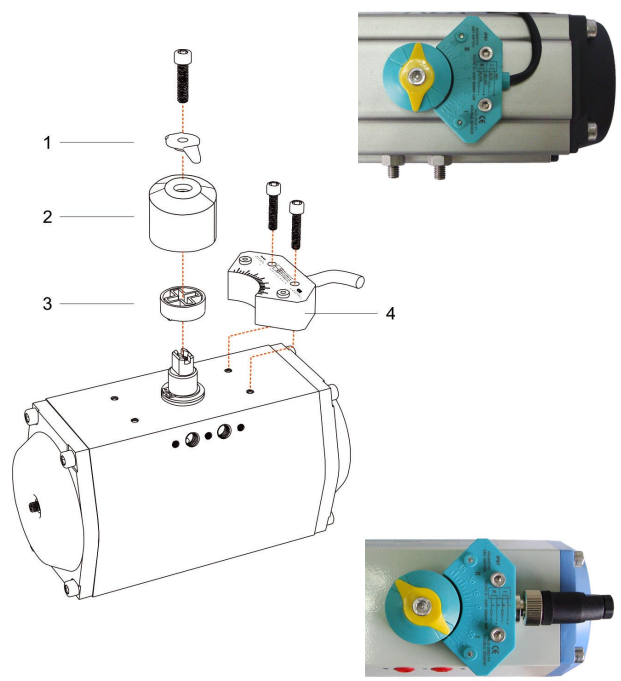
APPROVED BY



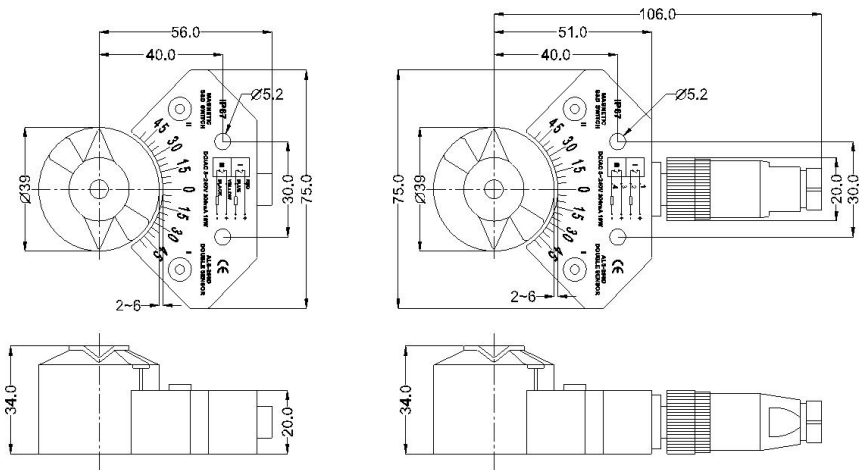
WIRING DIAGRAM(2SPDT)



MOUNTING



DRAWING AND DIMENSION



ALS200D-FL

ALS200D-P4

#3 - Adaptor for stem height from 30mm to 20mm,